

IMPULSE NOZZLES

The impulse nozzles are designed to be mounted in installations which must be protected from pressure increase with safety valves type SiZ 2507.

They enable impulse pipes installing which connect protected object with control unit type USB.

Their additional functions are to:

- enable to fill impulse pipes with anti freezing liquid when it is necessary,
- enable to isolate control unit in case of pressure test of protected object.

Operating data

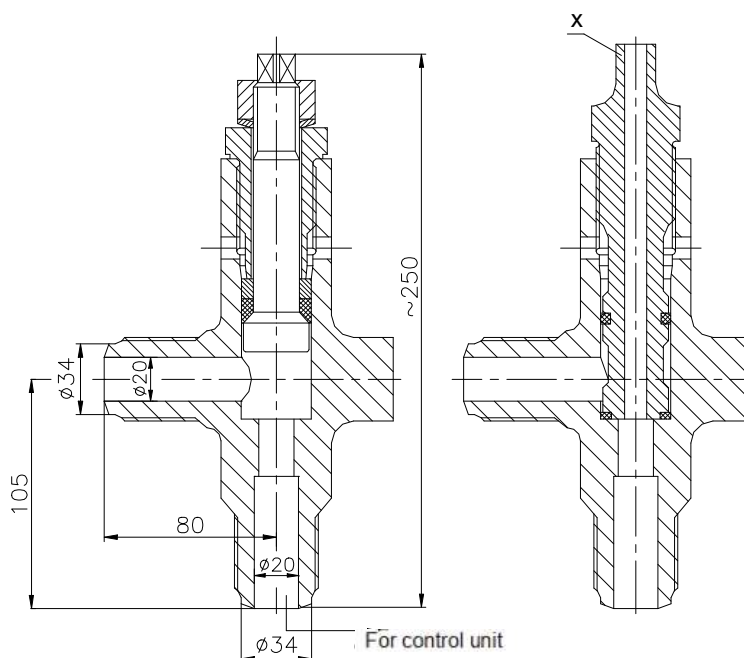
Operating medium	water, steam
Maximum permissible operating pressure	PS = 220 bar

Maximum permissible operating temperature for materials

G245GH	TS = 400 °C
13CrMo4-5	TS = 530 °C
11CrMo9-10	TS = 545 °C
10CrMoVNb9-1	TS = 580 °C

Dimensions

Weight = 4,75 kg



x- additional equipment

We reserve the right to change contents and form of this sheet without notice