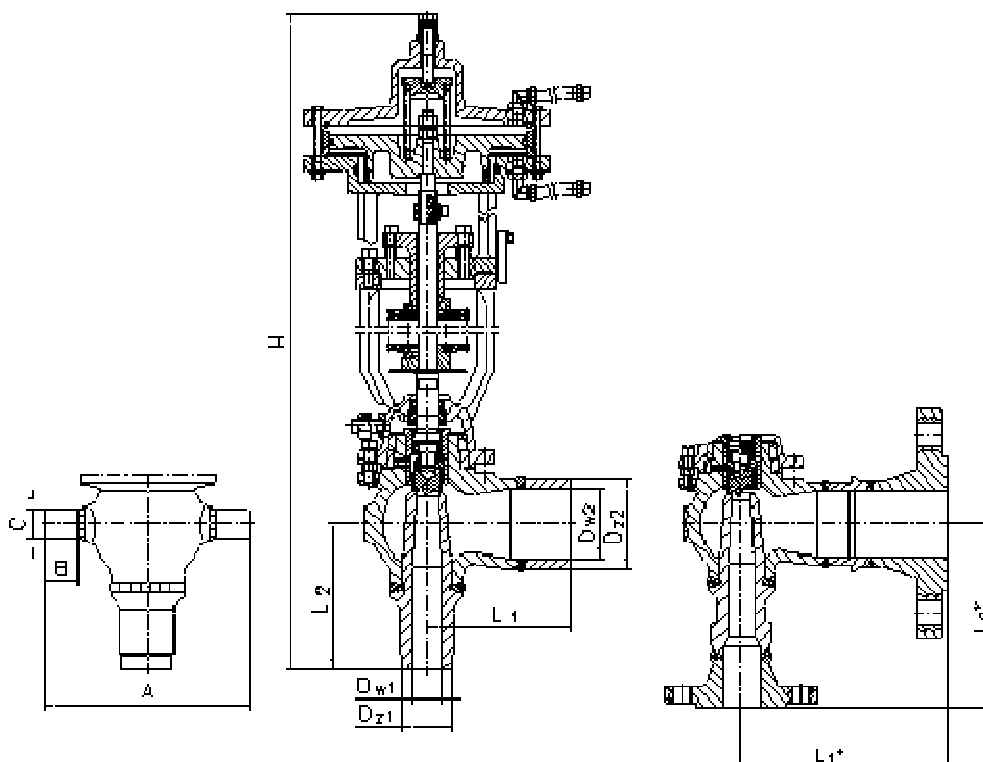


SAFETY VALVES type SiZ 2507

These are controlled action full stroke spring loaded valves, open type design, with pneumatic actuator mating with control unit type **USB**.



Dimensions and weights

DN	Seat [mm]	Dimensions								Weight /kg/	Setting Ppo
		Dw ₁ /Dw ₂ min	Dz ₁ /Dz ₂ max	L ₁	L ₂	A	H	B	C		Pp _o /bar/
50/100	32	50/100	120/133	250	250	362	1200	72	60	170	70 - 220
50/125	36	50/125	120/160	250	250	362	1410	72	60	240	60 - 220
65/125	44	65/125	150/160	300	300	400	1410	82	70	240	40 - 220
	46	65/125	150/160	300	300	400	1410	82	70	250	
80/150	50	80/150	160/194	300	320	442	1520	95	76	275	25 - 220
	54		160/194	300	320	442	1520	95	76	275	
	56		165/194	300	320	442	1520	95	76	360	
100/200	63	100/200	195/236	350	380	500	1770	95	76	530	30 - 220
	70	100/200	195/267	350	380	500	1770	95	76	500	
125/200	84	125/200	190/245	300	380	500	1780	95	76	400	20 - 100
125/250	88	125/250	230/298	380	400	580	1900	95	76	930	35 - 220
150/250	93	150/250	215/298	320	380	524	1780	80	100	630	15 - 90
175/300	110	175/300	240/340	400	400	570	1850	90	120	650	10 - 80
	117	175/300	240/340	400	400	570	1850	90	120	650	
200/350	135	200/350	260/394	400	400	680	2120	100	140	740	10 - 70
	140	200/350	260/394	400	400	680	2120	100	140	740	
250/400	168	250/400	300/457	450	450	730	2220	100	140	880	10 - 60

Operating data

Operating medium	steam, air, other neutral steams and gases
Maximum permissible operating temperature	TS = 580° C

Materials

Body	GP240GH, G17CrMo5-5
Bonnet	GP240GH, G17CrMo5-5
Inlet nozzle	P245GH, 11CrMo9-10, X10CrMoVNb9-1
Outlet nozzle	P245GH, 11CrMo9-10, 13CrMo4-5

Additional information

Product meets requirements of Directive PED: 2014/68/EU.

End connections: Buttwelding ends in acc. EN 12627

Flanged ends in acc. EN 1092-1.

Acceptance tests: EN 12266-1, WTWiO Nr 015.07.1.